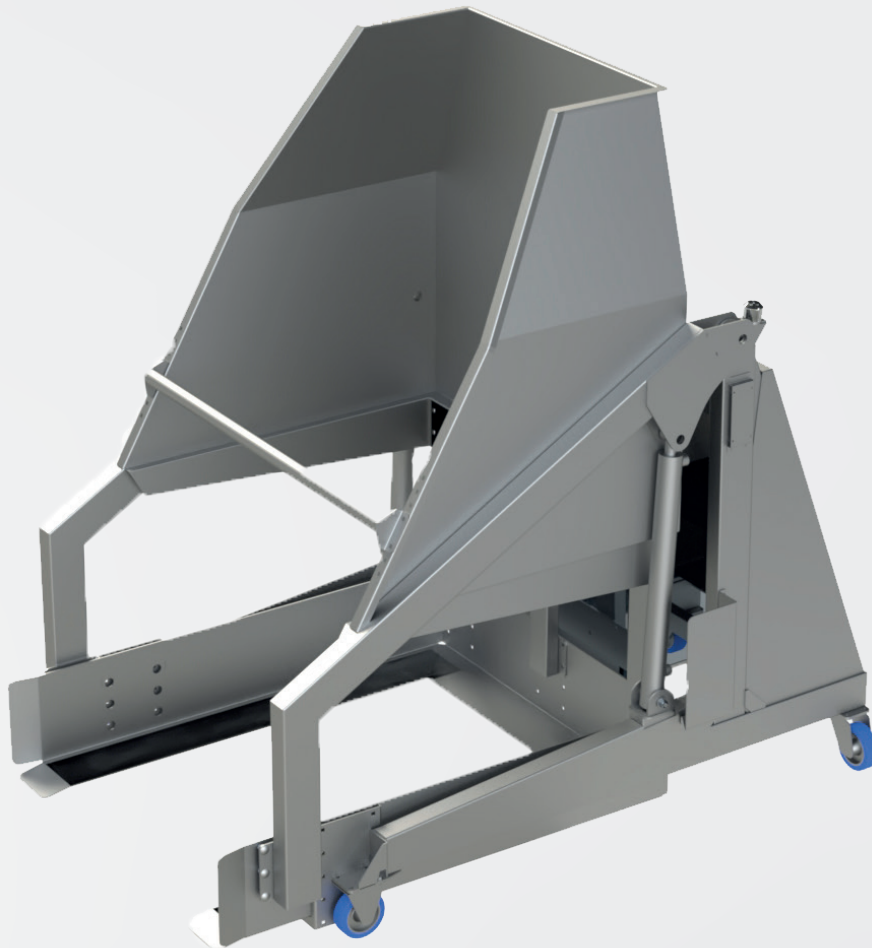


BIN TIPPER



COMPOSITION

- ▶ 304 stainless steel metalwork.
- ▶ Self-supporting structure.
- ▶ Stainless steel height adjustable feet on castors with rubber wheels.
- ▶ Stainless steel platter adjustable in width and height.
- ▶ Pivots with Teflon bushings.
- ▶ Damping pad in rest position.
- ▶ Sorting table connection tabs.
- ▶ 1 central handle and one right or left handed adjustable handle.

BIN DIMENSIONS

Width	1200 mm
Length	1000 mm
Height	800 to 1000 mm

